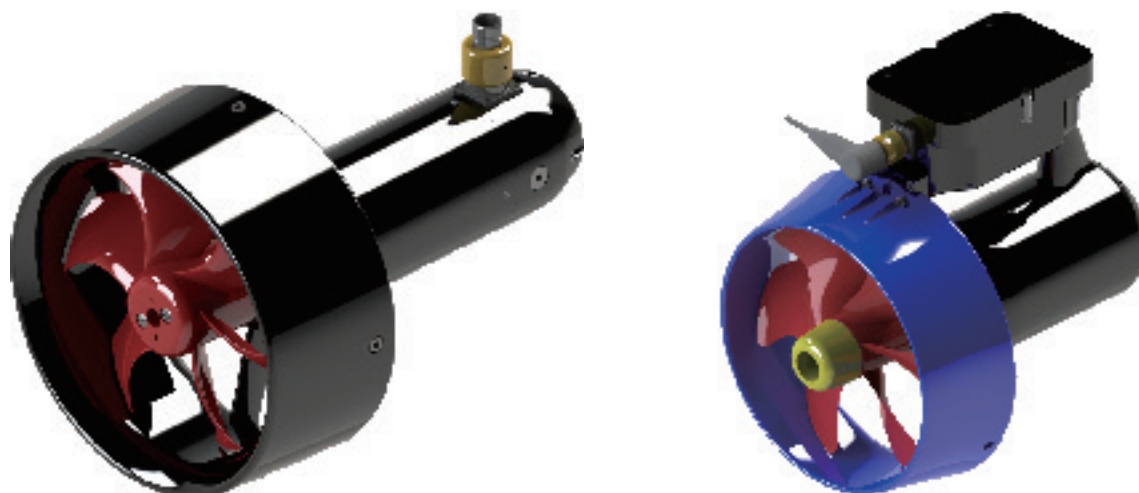


Direct Drive Underwater Thruster

DWT085G1, DWT085D3, DWT110D4, DWT135D4

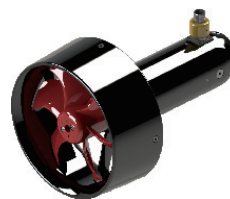


DWTEK provides four direct-drive underwater thrusters including "DWT085G1, DWT085D3, DWT110D4, DWT135D4." The direct-drive series is designed to directly transmit torque from the high-efficiency motor that can generate high torque, fast response, and effectively reduce noise. This series is specially developed for underwater vehicles such as "ROVs, UUV and AUV."

Model	Thrust	Power	Weight
DWT085G1	CW: 24kgf CCW: 23kgf	Operation voltage: 300VDC (Reducer) Watt: 1,000	In air: 4.6 kg In water: 2.3 kg
DWT085D3	CW: 32kgf CCW: 27kgf	Operation voltage: 300VDC Watt: 1,500	In air: 5.8 kg In water: 3.3 kg
DWT110D4	CW: 44kgf CCW: 40kgf	Operation voltage: 300VDC Watt: 2,200	In air: 11.7 kg In water: 6 kg
DWT135D4	CW: 95kgf CCW: 85kgf	Operation voltage: 550VDC Watt: 5,000V	In air: 17.8 kg In water: 10.3 kg

Specification_DWT085G1, DWT085D3

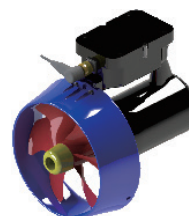
**All product descriptions and specifications are subject to be changed without notice



Model	DWT085G1	DWT085D3
Operation voltage	300 VDC *Reducer	300 VDC
Watt	1,000 W	1,500 W
CW	24 kgf	32 kgf
CCW	23 kgf	27 kgf
Speed control	RS485,± 5V, PWM	RS485,± 5V, PWM
Weight in Air	4.6 kg	5.8 kg
Weight in water	2.3 kg	3.3 kg
Depth	1,000 m	1000 m (3,000 m optional)
Operation temperature	-10~50	-10~50
Body material	AL 6061-T6	AL 6061-T6
Connector *Only compatible with DWTEK's connector	MSGBR08MESS	MSGBR08MESS
Gear box ratio	1:6	N/A
Shaft seal (rotary seal)	Yes	Yes
Self oil compensator	No, optional	Yes
Sealed	Rotary Seal	Rotary Seal

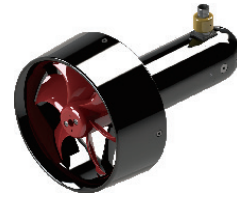
Specification_DWT110D4, DWT135D4

**All product descriptions and specifications are subject to be changed without notice

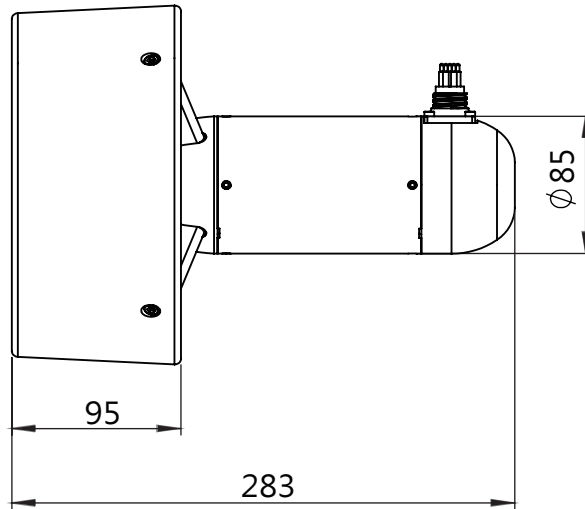
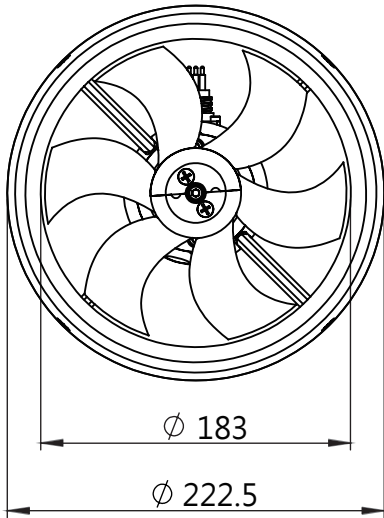


Model	DWT110D4	DWT135D4
Operation voltage	300 VDC	550 VDC
Watt	2,200 W	5,000 W
CW	44 kgf	95 kgf
CCW	40 kgf	85 kgf
Speed control	RS485,± 5V, PWM	RS485,± 5V, PWM
Weight in Air	11.7 kg	17.8 kg
Weight in water	6 kg	10.3 kg
Depth	3000 m (6,000 m optional)	3000 m (6,000 m optional)
Operation temperature	-10~50	-10~50
Body material	AL 6061-T6	AL 6061-T6
Connector *Only compatible with DWTEK's connector	MSGBR08MESS	MSGBR08MESS
Gear box ratio	N/A	N/A
Shaft seal (rotary seal)	Yes	Yes
Self oil compensator	No, optional	Yes
Sealed	Rotary Seal	Rotary Seal

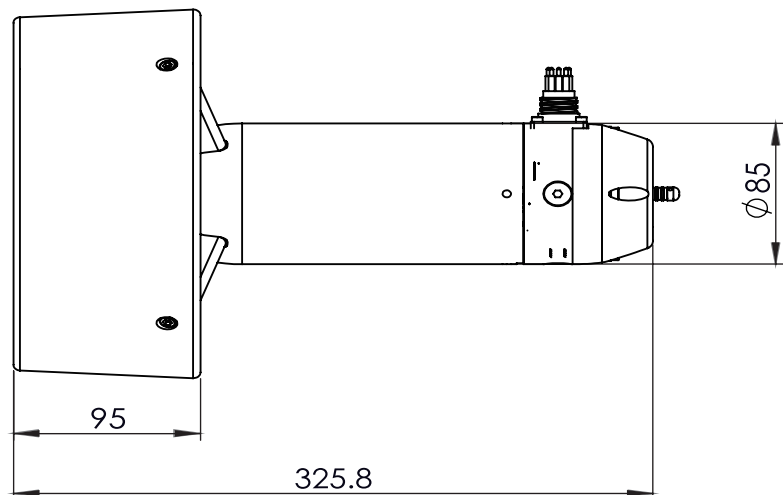
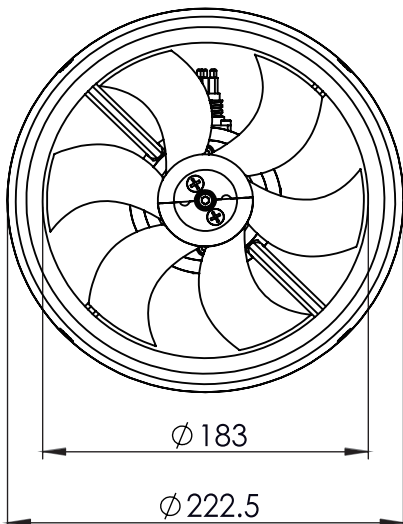
Dimension_DWT085G1, DWT085D3



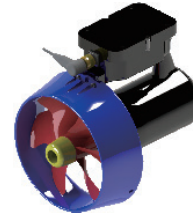
1. DWT085G1



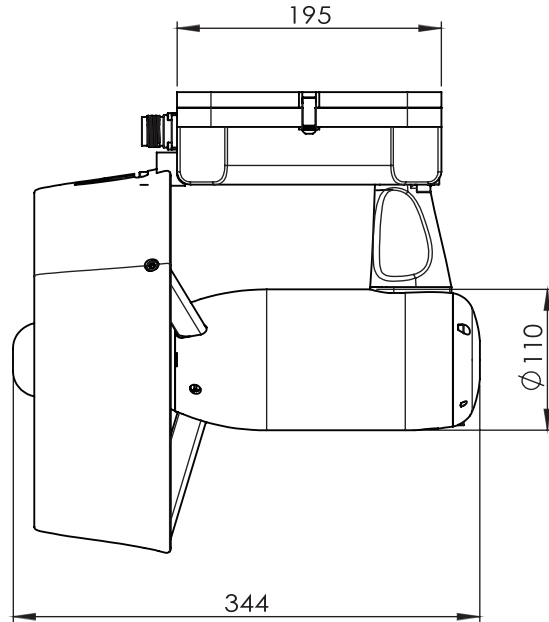
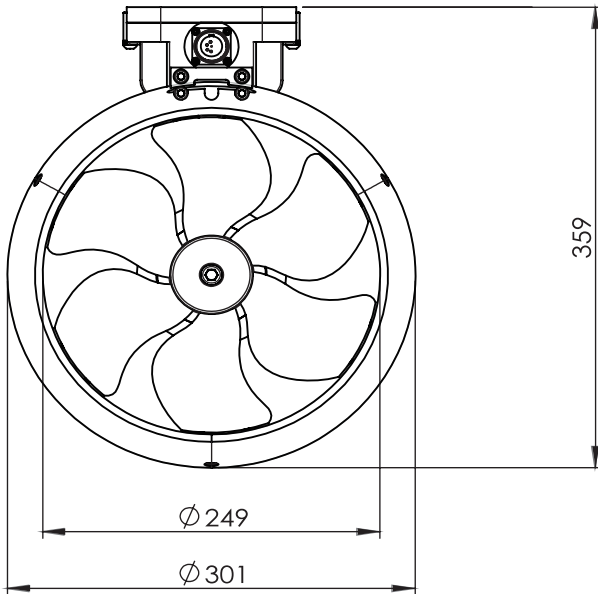
2. DWT085D3



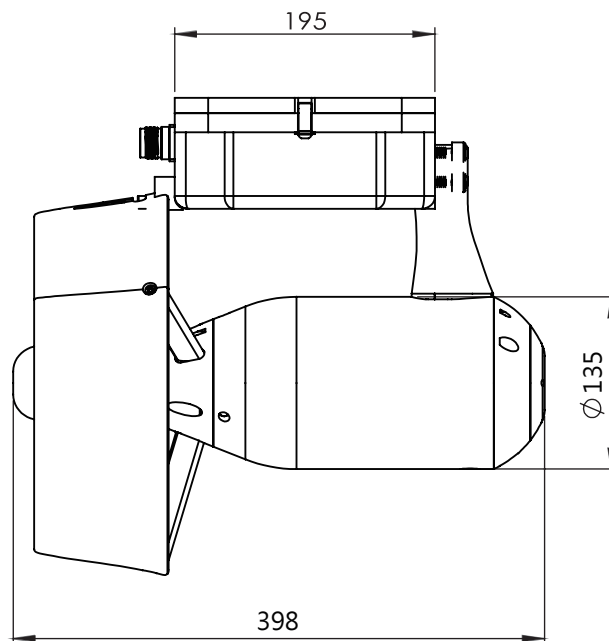
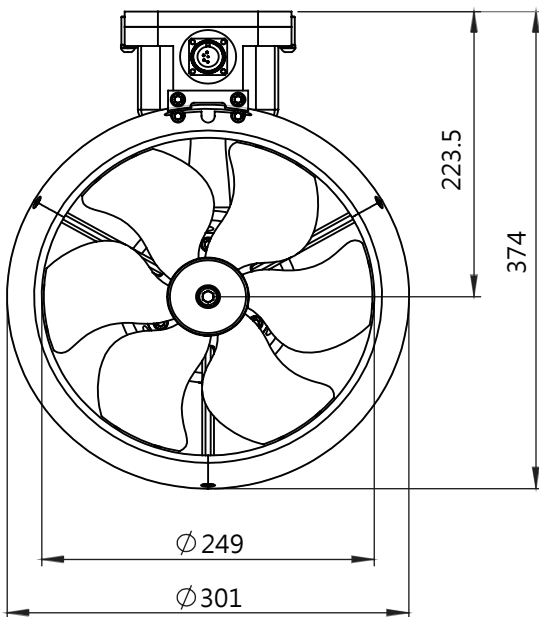
Dimension_DWT110D4, DWT135D4



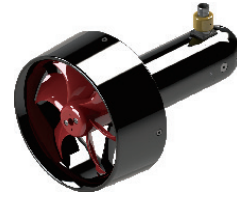
3. DWT110D4



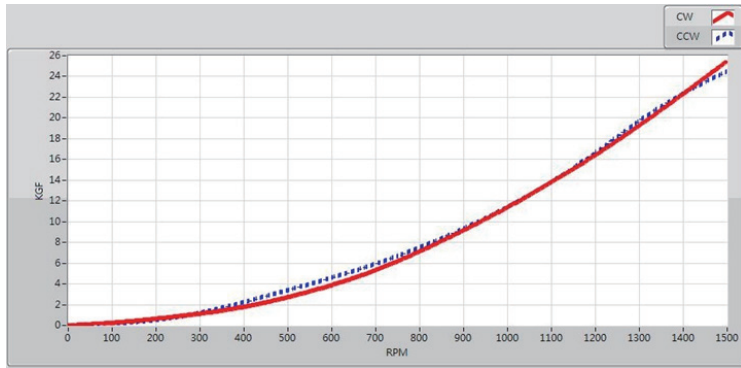
4. DWT135D4



Performance_DWT085G1, DWT085D3

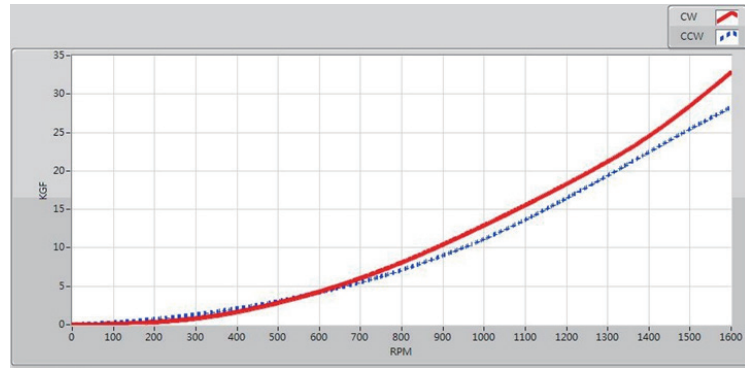


1. DWT085G1 / 300 VDC / 1,000 W

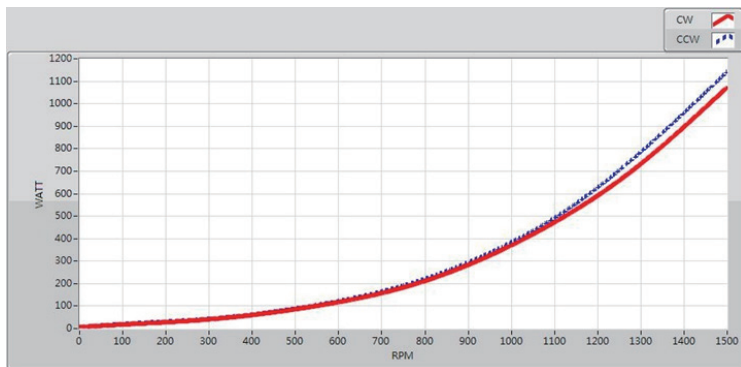


1. RPM VS. KGF

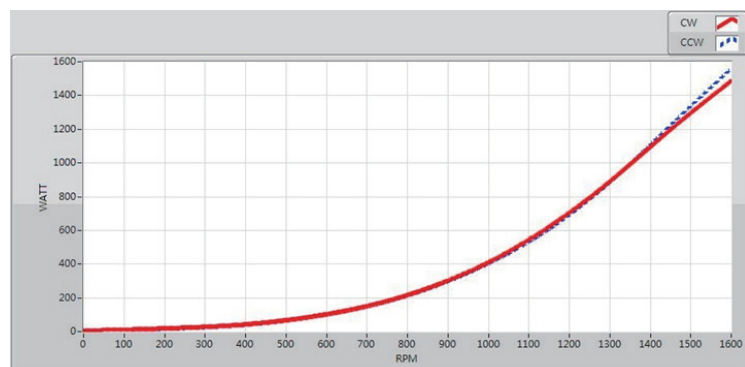
2. DWT085D3 / 300 VDC / 1,500 W



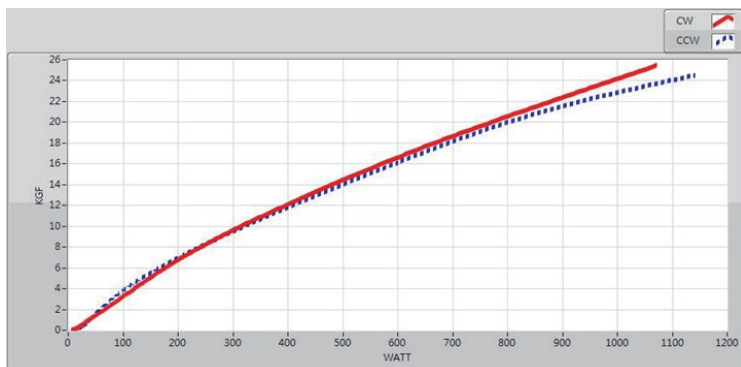
1. RPM VS. KGF



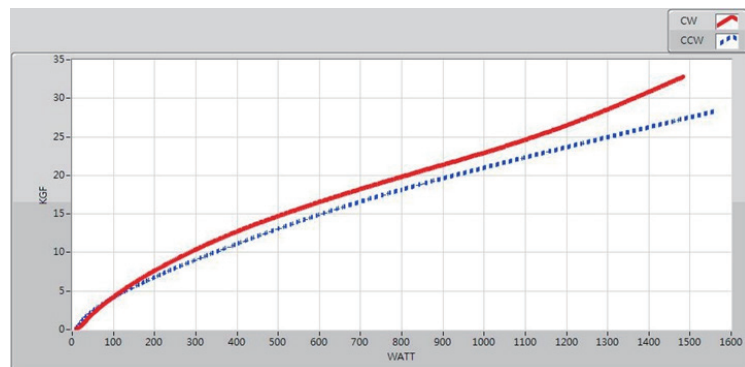
2. RPM VS. Watt



2. RPM VS. Watt

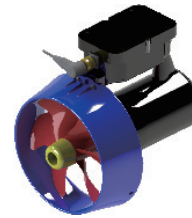


3. Watt VS. KGF



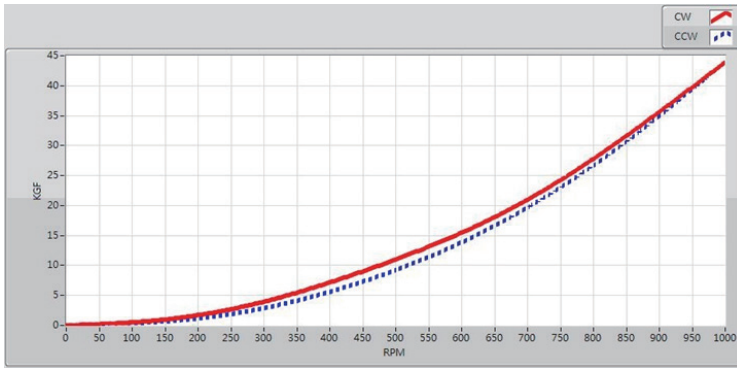
3. Watt VS. KGF

Performance_DWT110D4, DWT135D4

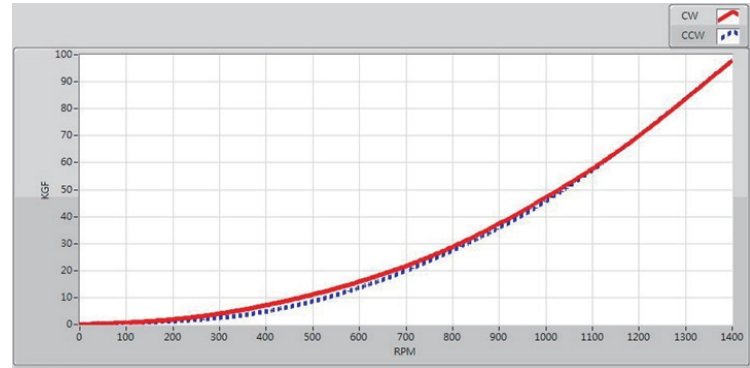


3. DWT110D4 / 300 VDC / 2,200 W

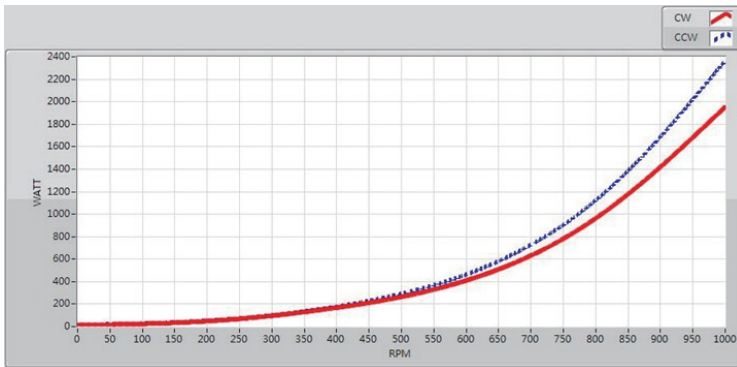
4. DWT135D4 / 550 VDC / 5,000 W



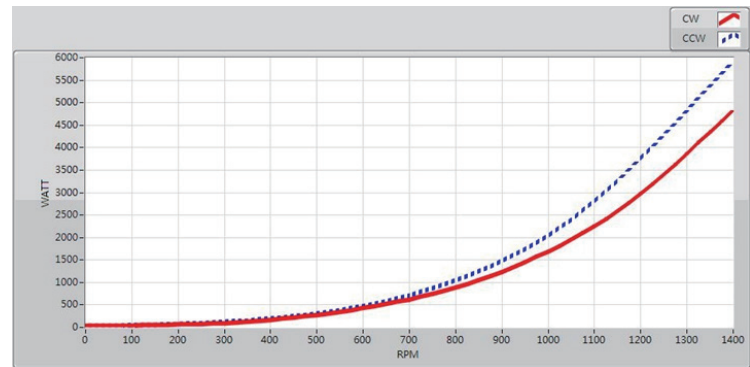
1. RPM VS. KGF



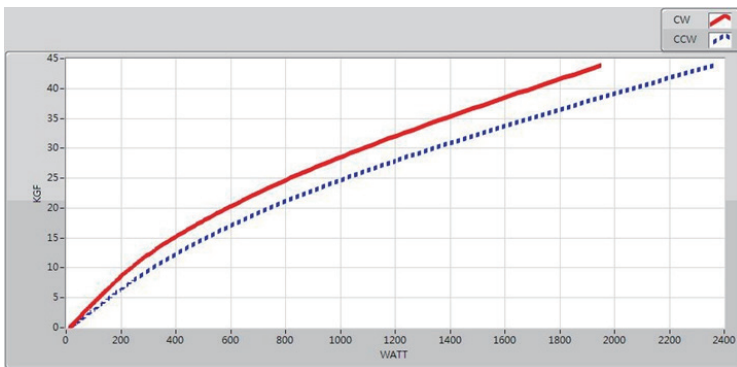
1. RPM VS. KGF



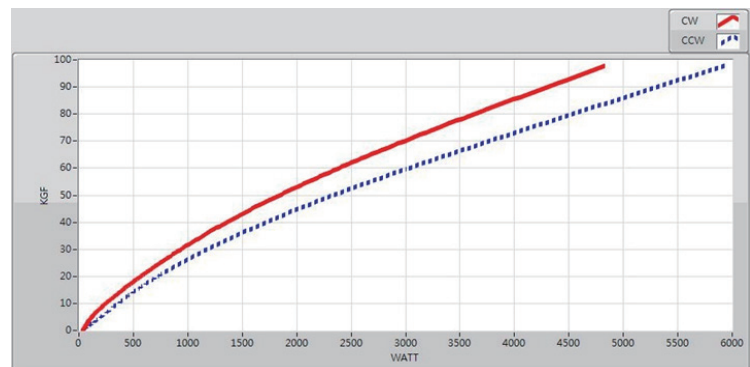
2. RPM VS. Watt



2. RPM VS. Watt



3. Watt VS. KGF



3. Watt VS. KGF

