

# Underwater Lighting

LED 23W, 50W, 80W, 150W



## Features

- Dimmable
- High performance
- User friendly

## Applications

- ROV
- Diving Equipment
- Underwater survey system
- Offshore, defense, O&G subsea systems
- Vessel and winch monitoring

## Specification: LED 50W, 80W, 150W

\*\*All product descriptions and specifications are subject to be changed without notice

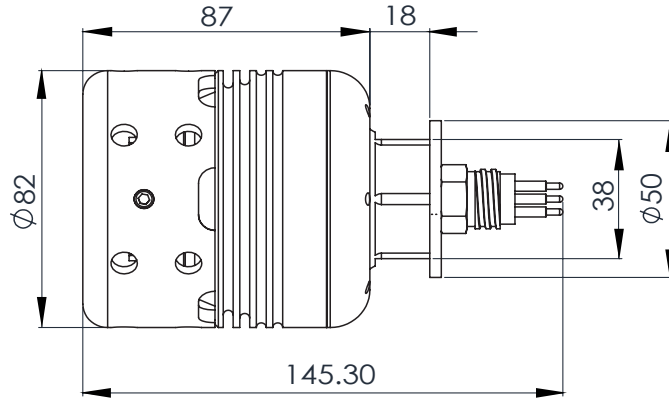
Model	DWTEK-50W	DWTEK-80W	DWTEK-150W
Image			
Input	24~52 VDC ; 50W	24~60 VDC ; 80W	150~380 VDC ; 150W
Lumens in Integrating Sphere	> 2500 Lumens @ 50W	> 4000 Lumens @ 80W	6957 Lumens @ 150W
Luminous Efficacy	50 lm/W	50 lm/W	46 lm/W
Current Draw	1.06 A @ 48 VDC	1.68 A @ 48 VDC	1.07 A @ 150 VDC
Dimming	0-5V analog / 0-100% PWM (Isolation Inside for Opt.)	0-5V analog / 0-100% PWM (Isolation Inside for Opt.)	0-5V analog / 0-100% PWM (Isolation Inside for Opt.)
Color Temp.	6,000~6,500°K	6,000~6,500°K	6,000~6,500°K
Beam Pattern	72°	72°	72°
Body Material	Hard Anodized 6061-T6 Aluminum	Hard Anodized 6061-T6 Aluminum	Hard Anodized 6061-T6 Aluminum
Window Material	Acrylic	Acrylic	Acrylic
Depth Rating	6,000 m	6,000 m	6,000 m
Testing Rating	600 Bar	600 Bar	600 Bar
Operation Temp.	-10°C ~ 40°C	-10°C ~ 40°C	-10°C ~ 40°C
LED Lifespan	50000 hrs	50000 hrs	50000 hrs
Weight	820 g (in Air) ; 400 g (in Water)	820 g (in Air) ; 400 g (in Water)	820 g (in Air) ; 400 g (in Water)
Connector	MCBH 5M	MCBH 5M	MCBH 5M

## Specification: LED 23W

\*\*All product descriptions and specifications are subject to be changed without notice

Model	Mini LED
Image	
Input	12~28 VDC ; 23W
Lumens in Integrating Sphere	> 1200 Lumens @ 23W
Luminous Efficacy	52 lm/W
Current Draw	0.98 A @ 24 VDC
Dimming	0-5V analog / 0-100% PWM (Isolation Inside for Opt.)
Color Temp.	6,000~6,500°K
Beam Pattern	-
Body Material	Hard Anodized 6061-T6 Aluminum
Window Material	Acrylic
Depth Rating	2,000 m
Testing Rating	200 Bar
Operation Temp.	-10°C ~ 40°C
LED Lifespan	50000 hrs
Weight	320 g (in Air) ; 140 g (in Water)
Connector	MCBH 5M

### Dimension: 50W, 80W, 150W



### Dimension: 23W

