

Magnetically Coupling Brushless Underwater Thruster

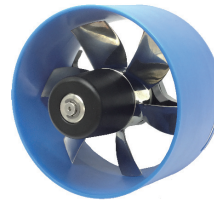
DWT6532 / DWT6537 / DWT1



DWTEK provides three magnetically coupling underwater thrusters including "DWT6532, DWT6537, and DWT1." The main feature is there are no mechanical commutators, which naturally could reduce shaft friction and inertia, and create less noise. Also, there are no connecting shafts, which makes them easy to install and remain extremely low maintenance with high reliability.

Model	Thrust	Power	Weight
DWT6532	CW: 12.5kgf CCW: 6kgf	Operation voltage: 48V/155V/300V Watt: 500	In air: 2.8kg In water: 1.5kg
DWT6537	CW: 17.5kgf CCW: 7kgf	Operation voltage: 300VDC Watt: 750	In air: 3.2kg In water: 1.9kg
DWT1	CW: 13kgf CCW: 12kgf	Operation voltage: 48VDC / 300VDC Watt: 500	In air: 4 kg In water: 1.6kg

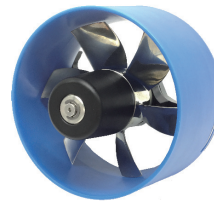
Specification_DWT6532, DWT6537



**All product descriptions and specifications are subject to be changed without notice

Model	DWT6532	DWT6537
Operation voltage	48V / 155V / 300V	300 VDC
Watt	500W	750W
CW	12.5kgf	17.5kgf
CCW	6kgf	7kgf
Speed control	RS485,± 5V, PWM	RS485,± 5V, PWM
Weight in Air	2.8kg	3.2kg
Weight in water	1.5kg	1.9kg
Depth	1,000m	1000m
Operation temperature	-10~50	-10~50
Body material	AL 6061-T6	AL 6061-T6
Connector *Only compatible with DWTEK's connector *Customer provides acceptably	MCBH08ME	MCBH08ME
Prop.	5 stainless blades	6 stainless blades
Gear box ratio	1:6	1:6
Shaft seal (rotary seal)	N/A	N/A
Self oil compensator	N/A	N/A
Sealed	O-Ring	O-Ring

Specification_DWT1



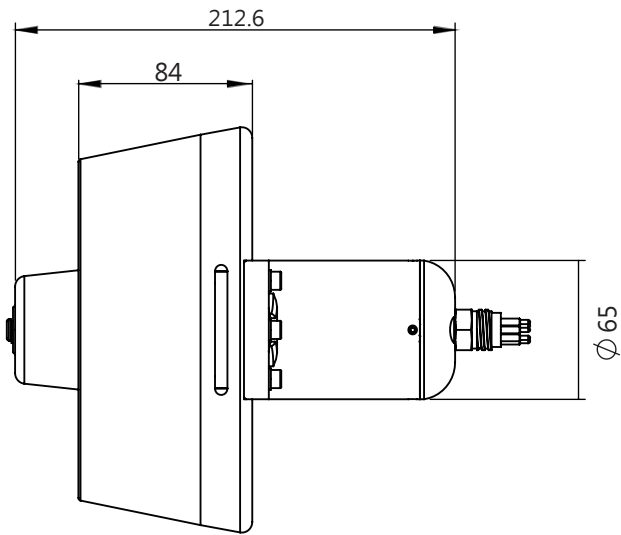
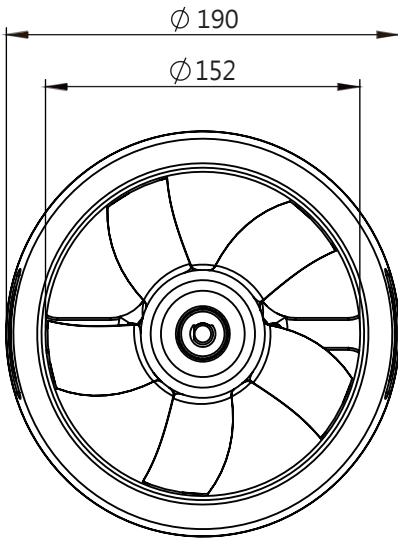
**All product descriptions and specifications are subject to be changed without notice

Model	DWT1
Operation voltage	48 VDC / 300 VDC
Watt	500 W
CW	13 kgf
CCW	12 kgf
Speed control	RS485,± 5V, PWM
Weight in Air	4 kg
Weight in water	1.6 kg
Depth	1,000 m
Operation temperature	-10~50
Body material	AL 6061-T6
Connector *Only compatible with DWTEK's connector	MCBH08ME
Prop.	6 stainless blades
Gear box ratio	1:6
Shaft seal (rotary seal)	N/A
Self oil compensator	N/A
Sealed	O-Ring

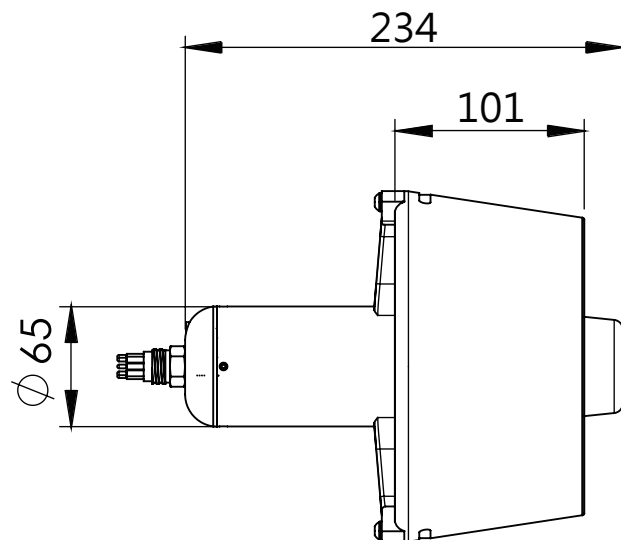
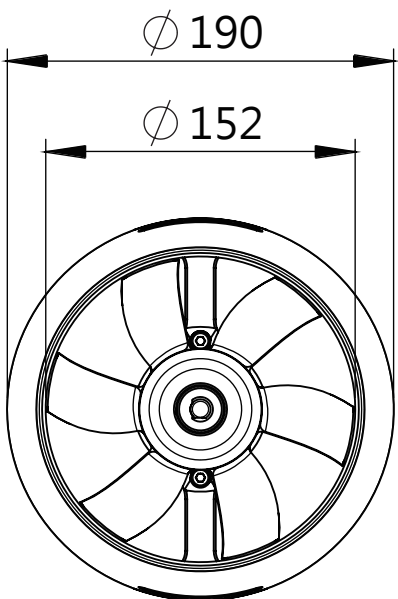
Dimension_DWT6532, DWT6537



1. DWT6532



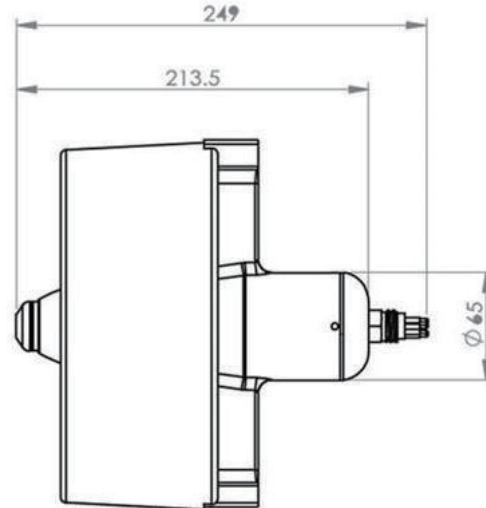
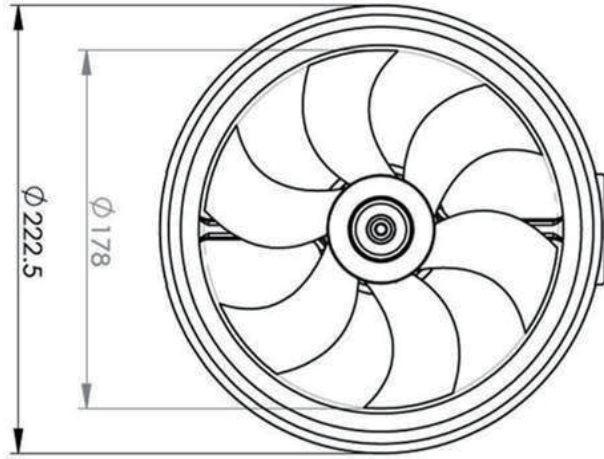
2. DWT6537



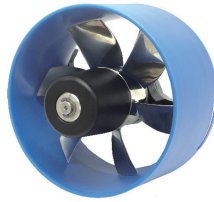
Dimension_DWT1



3. DWT1

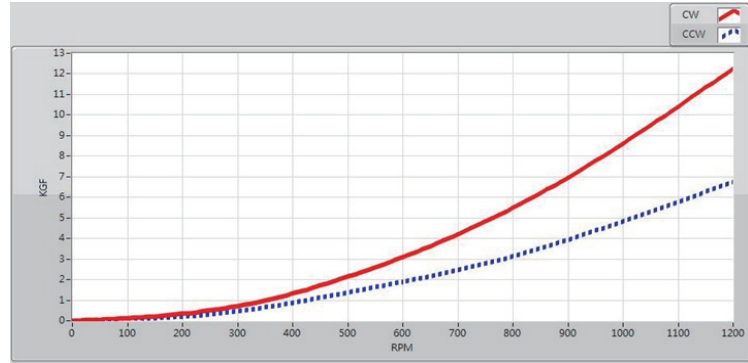
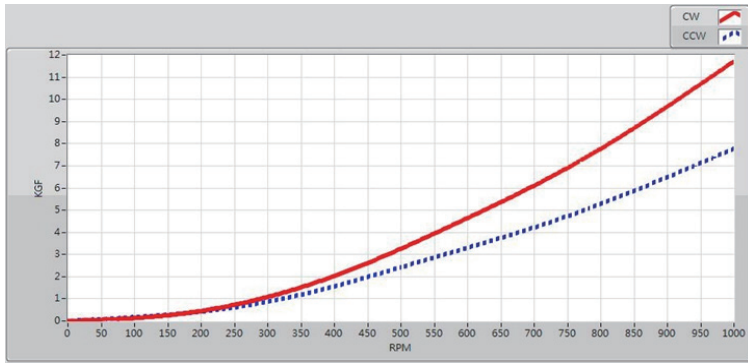


Performance_DWT6532



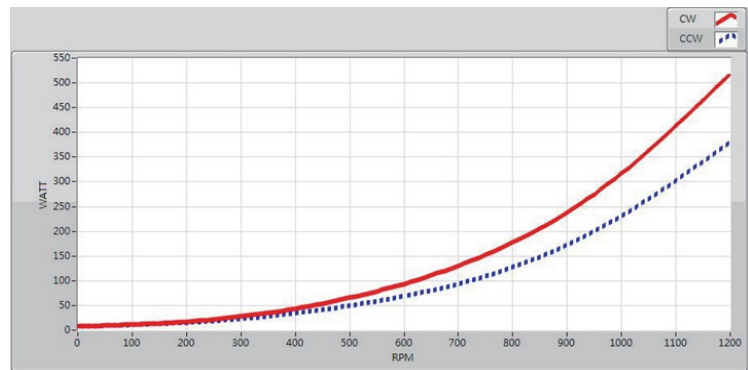
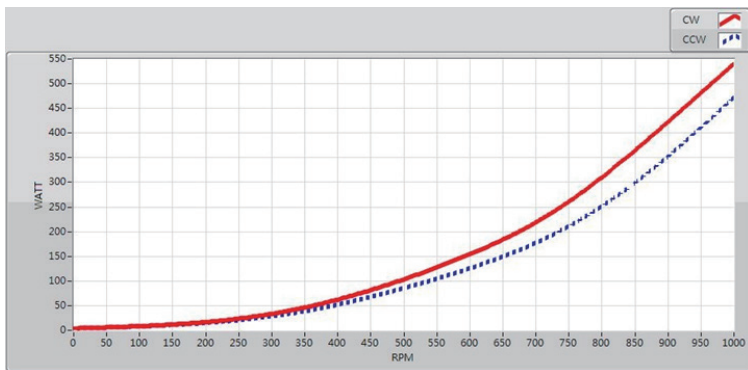
1. DWT6532 / 48V / 500W

2. DWT6532 / 155V / 500W



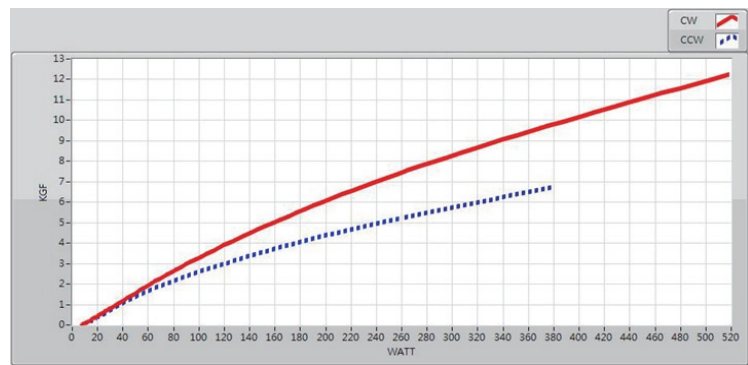
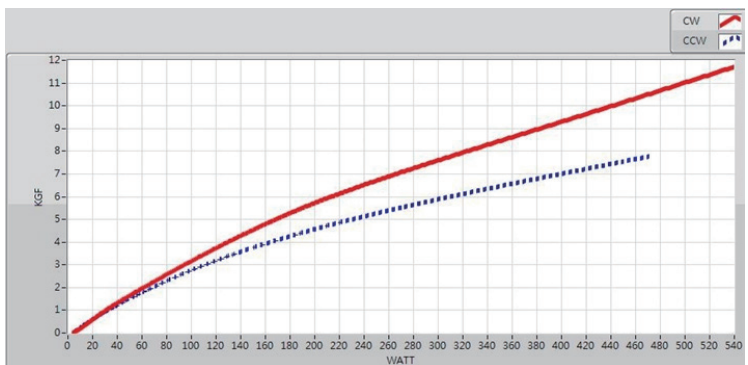
1. RPM VS. KGF

1. RPM VS. KGF



2. RPM VS. Watt

2. RPM VS. Watt



3. Watt VS. KGF

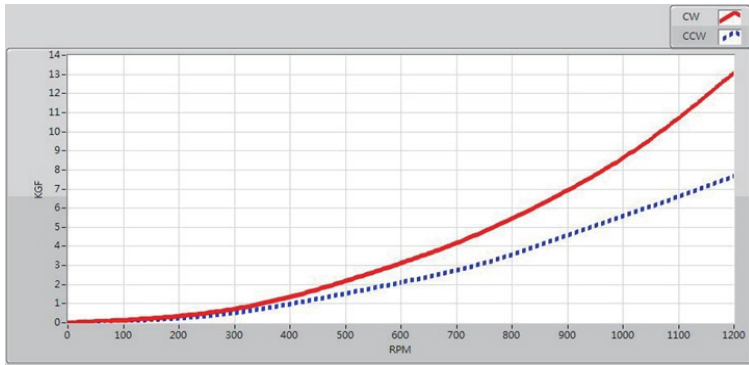
3. Watt VS. KGF

Performance_DWT6532 / DWT6537

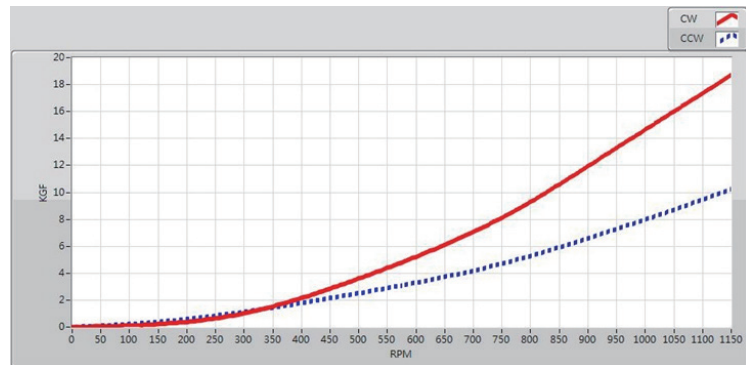


3. DWT6532 / 300V / 500W

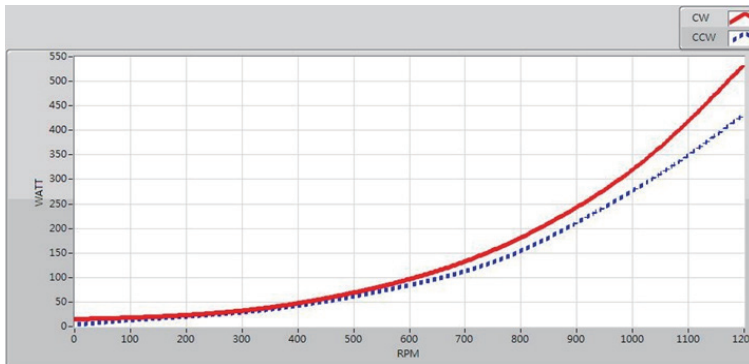
4. DWT6537 / 300V / 750W



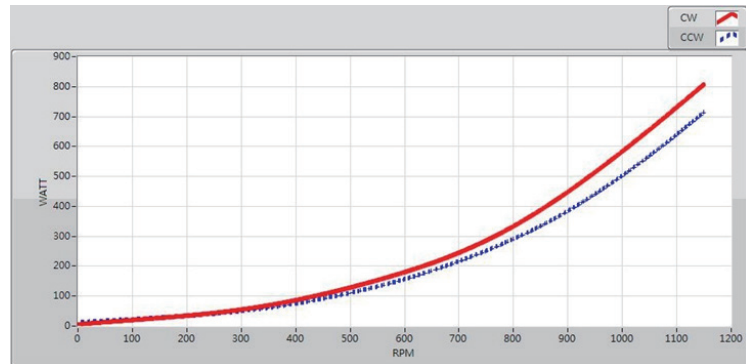
1. RPM VS. KGF



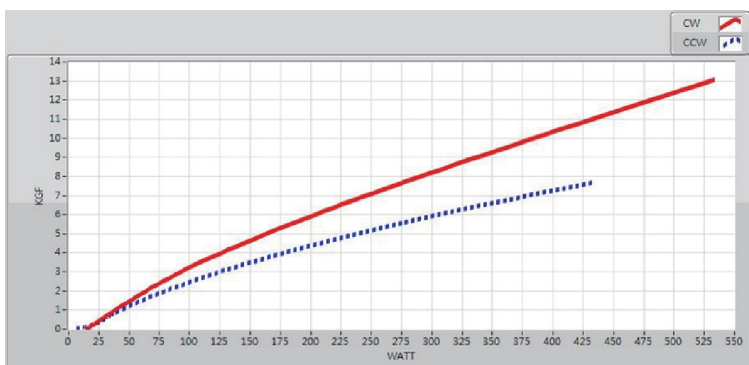
1. RPM VS. KGF



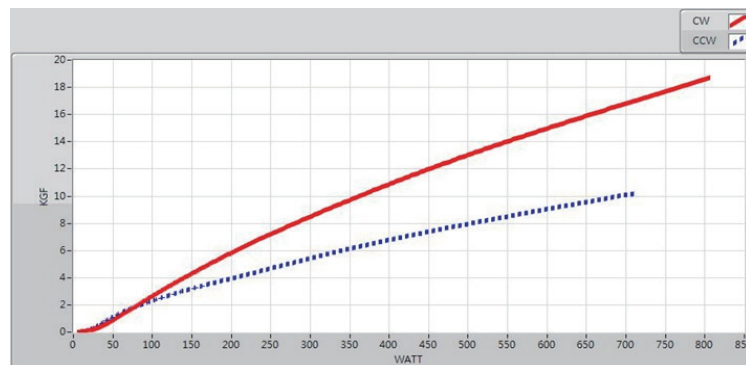
2. RPM VS. Watt



2. RPM VS. Watt

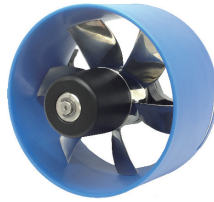


3. Watt VS. KGF

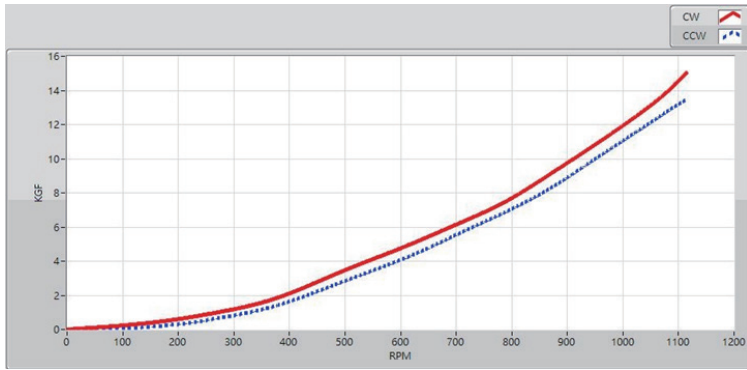


3. Watt VS. KGF

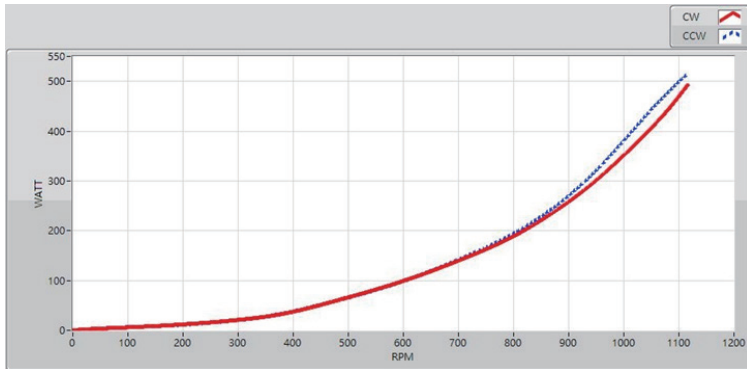
Performance_DWT1



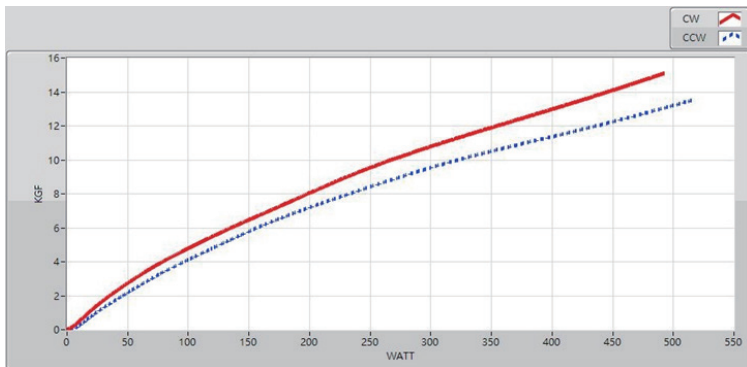
5. DWT1 / 300V / 500W



1. RPM VS. KGF

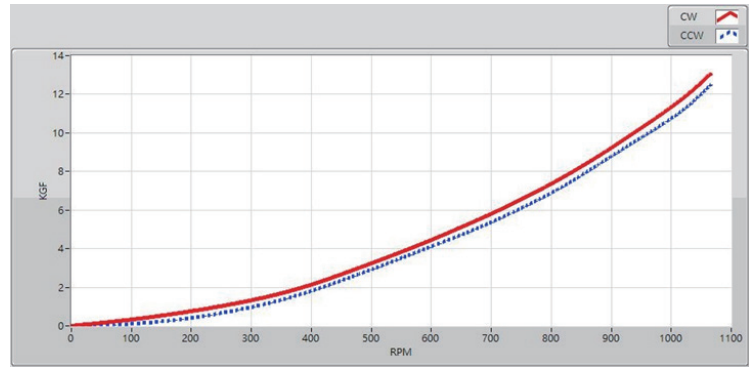


2. RPM VS. Watt

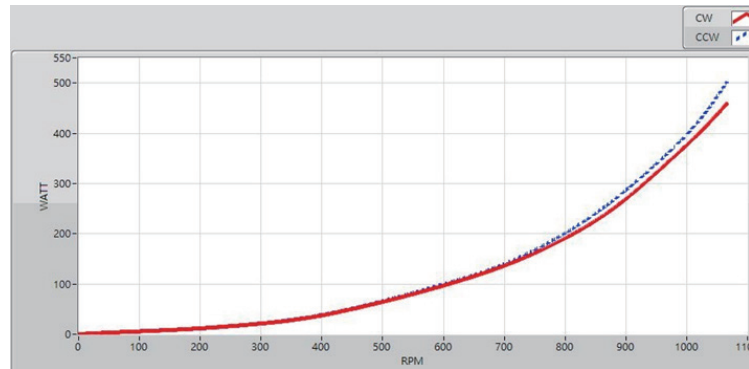


3. Watt VS. KGF

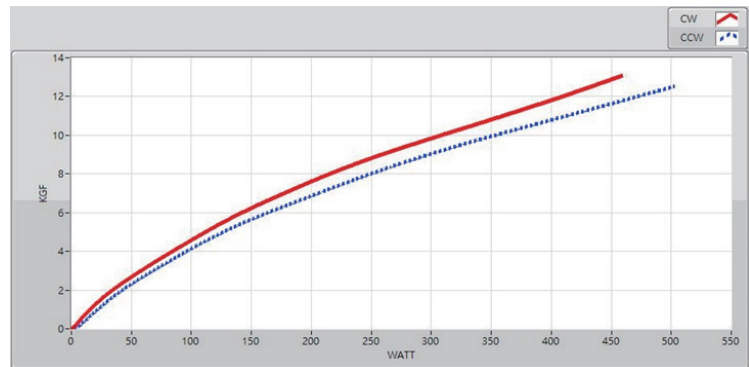
6. DWT1 / 48V / 500W



1. RPM VS. KGF



2. RPM VS. Watt



3. Watt VS. KGF

